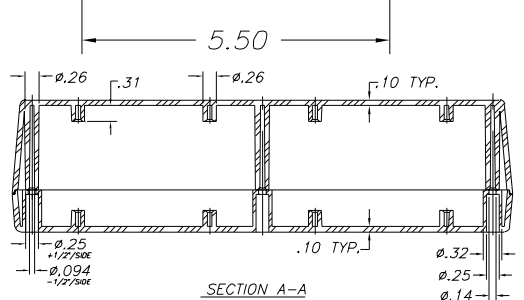
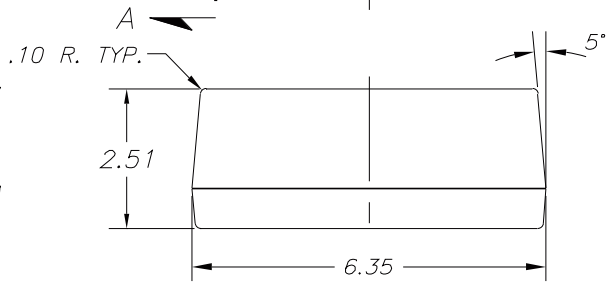
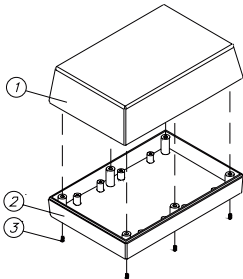
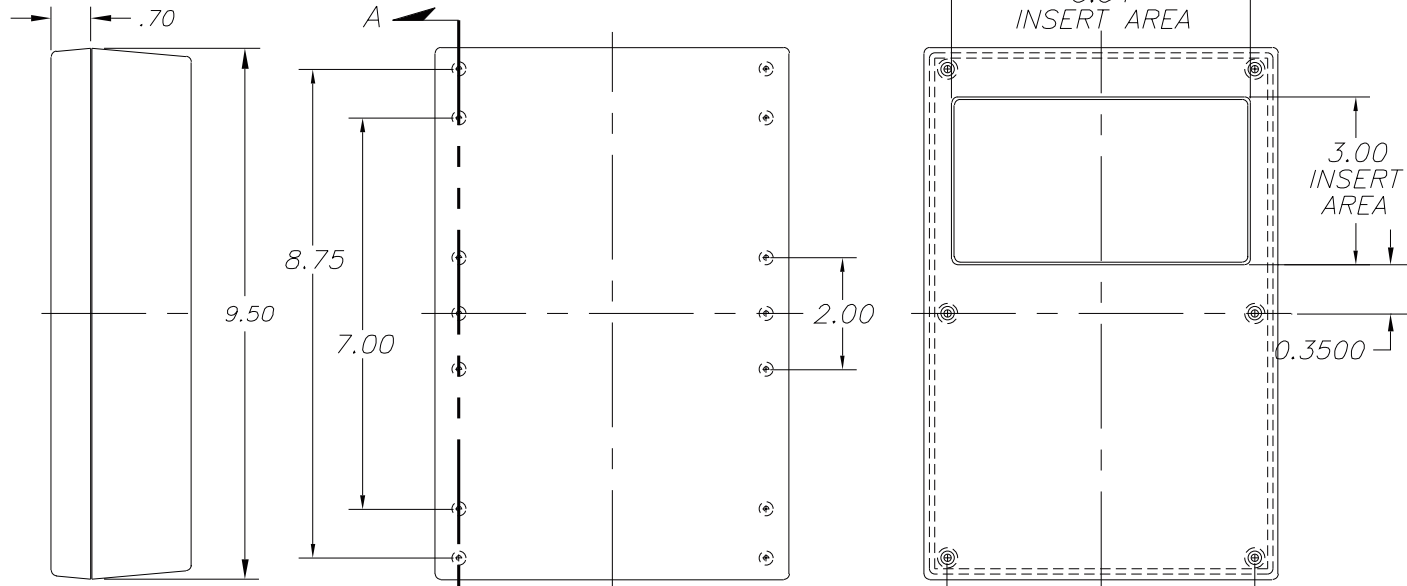


# SERPAC 193

Electronics Enclosures

NOTES:  
1. WHEN MACHINE OR I PLATES MODIFICATIONS ARE REQUIRED, USE THE CENTER OF THE BOX TO DIMENSION.

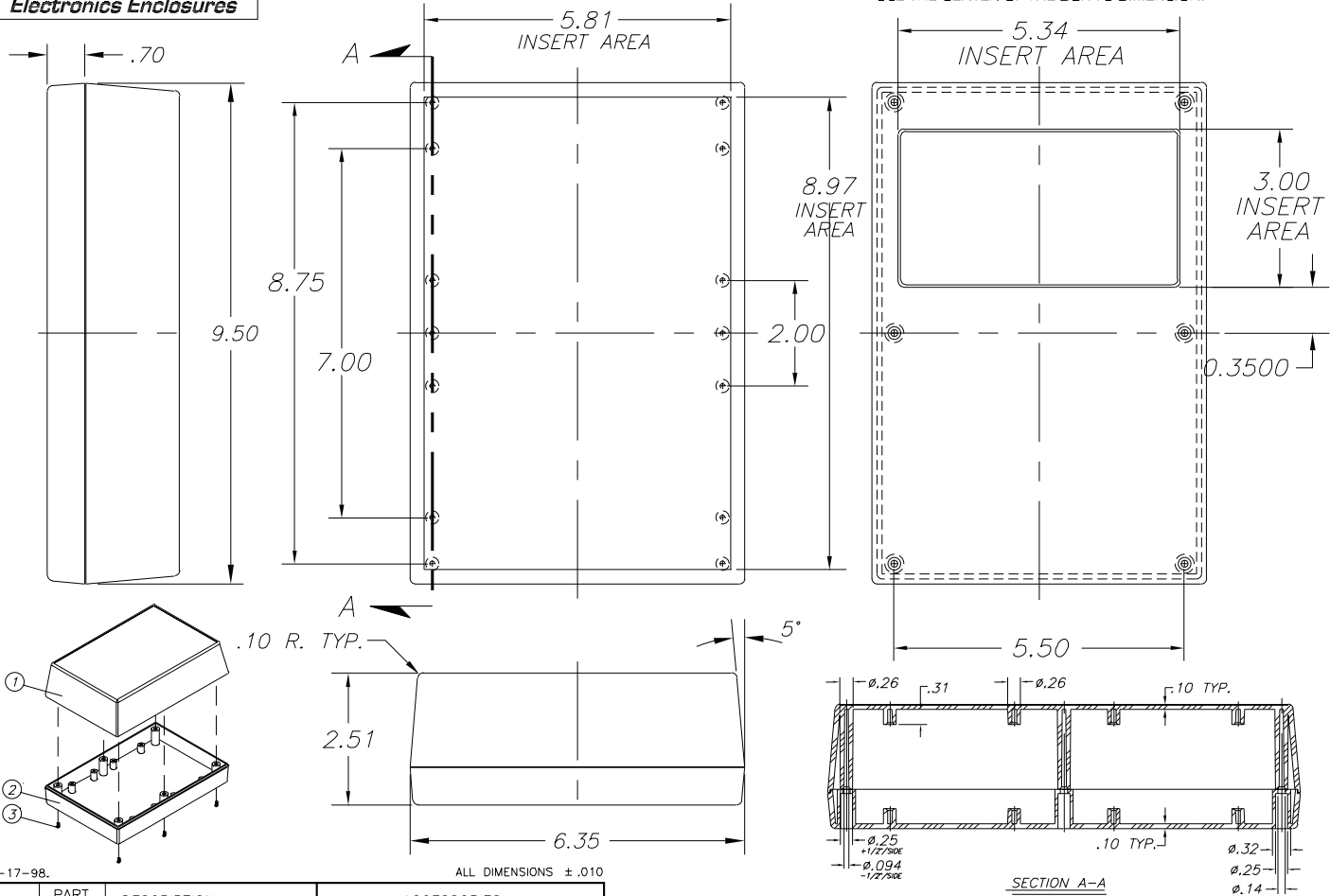


8-17-98. ALL DIMENSIONS ± .010

ITEM	PART NO.	DESCRIPTION	ACCESSORIES	
			PART NO.	DESCRIPTION
1	95	PLASTIC TOP	50	FEET
2	19	PLASTIC BOTTOM		
3	6005	SCREWS (6)		

**NOTES:**

1. WHEN MACHINE OR I PLATES MODIFICATIONS ARE REQUIRED, USE THE CENTER OF THE BOX TO DIMENSION.



8-17-98.

ALL DIMENSIONS  $\pm .010$

ITEM	PART NO.	DESCRIPTION	ACCESSORIES	
			PART NO.	DESCRIPTION
1	931	PLASTIC TOP		
2	19	PLASTIC BOTTOM		
3	6005	SCREWS (6)		
			50	FEET